



Sun Surveillance

2024-2025 PRODUCT CATALOG





Contents

ABOUT US 2

GLOBAL REACH 5

INDUSTRIES 6

SOLAR 9

Solstice Pole 10

Solstice Kit 12

Solstice Light 14

MOBILE UNITS 17

Solstice Trailer 18

Solstice H-Base 20

OTHER 23

PowerBridge 24

Octo Box 26

AC Pole 28

Sectional Pole 30

Hinged Pole 32

Smart Monitoring 34

Sun Surveillance **ABOUT US**

FOUNDED IN 2004, SUN SURVEILLANCE HAS STEADILY GROWN FROM PRODUCING SOLAR-POWERED WIRELESS CAMERA POLE SYSTEMS TO BECOMING A LEADING PROVIDER OF OUTDOOR SECURITY SOLUTIONS. We are committed to powering a diverse array of security requirements, from surveillance systems to communication networks, security lighting, and beyond. We innovate continuously to meet the evolving demands of physical security infrastructure.



OUR MISSION

To simplify project design and implementation of electronic security solutions globally.



OUR VISION

To be the premier one-stop integration partner for all outdoor security technology.



OUR VALUES

Love, joy, peace, patience, kindness, gentleness, and self-control. We aim to treat our customers the way we want to be treated.

Serving Customers

ACROSS THE GLOBE

SUN SURVEILLANCE HAS SYSTEMS DEPLOYED ACROSS THE GLOBE.

We specialize in producing systems robust enough to withstand extreme desert heat to extreme arctic climates. We partner with security integrators and security consultants to protect some of the world's most valuable assets. To us, there is no project too big or too small.



**24 / 7 / 365
GUARANTEE**



**QUICK & SEAMLESS
CUSTOMIZATION**



**20+ YEARS OF
RELIABLE EXPERTISE**

Protecting Across **EVERY INDUSTRY**



CRITICAL INFRASTRUCTURE

Sub Stations, Nuclear Plants, Oil and Gas,
Solar Farms



GOVERNMENT AND DEFENSE

Department of Transportation, Department of
Defense, Law Enforcement



EDUCATION AND PUBLIC SPACES

Educational Institutions, Parks and Recreation,
Flood Control



COMMERCIAL AND INDUSTRIAL

Auto Dealerships, Construction Sites,
Mining Operations, Farming



SPECIALIZED SOLUTIONS

Wildlife Monitoring, Ports (Sea, Land, and Air)



SOLAR

Solstice Pole	10
Solstice Kit	12
Solstice Light	14

Solstice Pole

Turnkey pole and solar solution for any camera and wireless communications

The **Solstice Pole** solar-powered wireless surveillance system can be installed nearly anywhere, and gives complete control of your cameras from anywhere in the world.

Compatible with virtually any IP camera, radar, or speaker/horn on the market. Ideal for remote video surveillance, including perimeter security for government and industrial facilities, railways, parks, construction yards, and parking lots.

All **Solstice Pole** systems are backed by our performance warranty, giving you the confidence that your system will be available when you need it. The **Solstice Pole** turns any camera into the **SolsticeCam™**.

Options

- **Smart Health Monitoring**
- **IR Illuminator:** Various Distances and Angles
- **Strobe Light:** White, Blue, Green, Red
- **Amplified Speaker:** 10 Watt Amplifier and Speaker
- **Powder Coating:** Full Selection of RAL Colors

Cameras, Horns, or Radar

We power your favorite combination of IP cameras and IP devices.

Camera brands include Avigilon, Axis, Bosch, FLIR, Genetec, Hanwha, i-Pro, Mobotix, Pelco, Rhombus, Verkada, Vivotek, and many more.

Custom configurations are available for cameras not listed above.

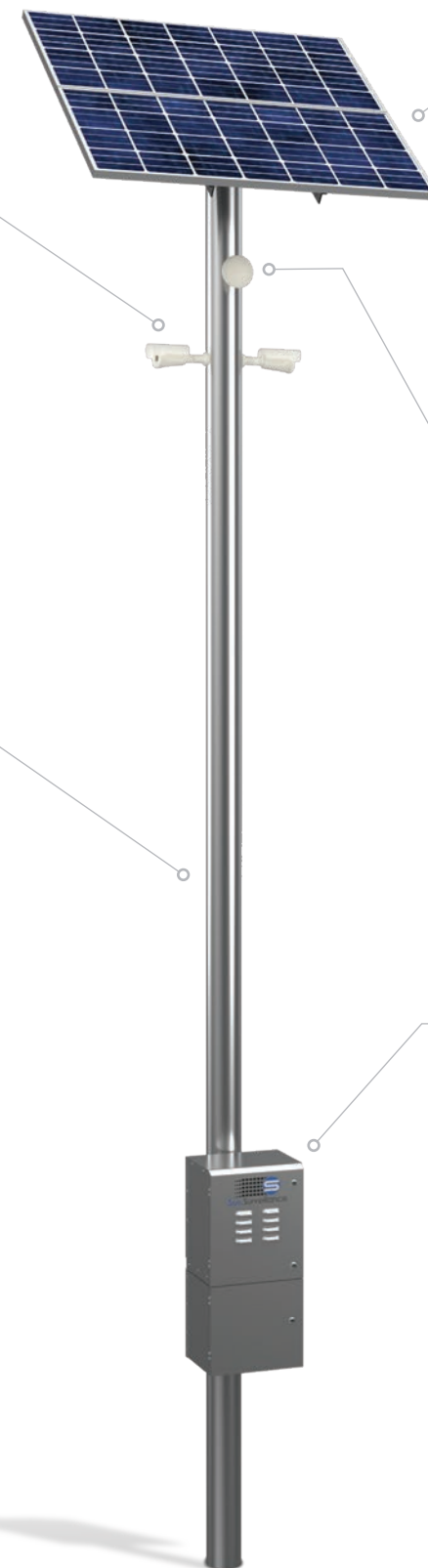
Pole

All of our poles are aluminum and corrosion resistant.

Direct Burial, Sectional, Aluminum Pole: The 20' x 6.5" diameter (7m x 165mm) or 20' x 4.5" diameter (7m x 114mm) pole includes two sections: a 12' (3.5m) main section and an 8' (2.5m) base section. The base section is installed 4' (1.2m) below ground, leaving 16' (5m) total above ground.

Hinged Aluminum Pole: The pole is hinged at the base for an extremely easy installation. The hinged pole comes in two standard sizes: 16' x 6" diameter (5m x 152mm) and 20' x 6" diameter (7m x 152mm). Custom lengths below 20' (7m) can be requested.

Your Pole: All Sun Surveillance components are designed to mount to any flat surface or pole 4.5" (114mm) or greater.



Solar Panels

Solar panel size can range depending on the need for smaller or larger panels.

- Mono-crystalline silicon solar cell
- High transparency, low-iron, tempered glass
- Heavy-duty, anodized frames
- Rugged design to withstand high wind pressure, hail, and snow load

Solar panels vary in size and wattage based on geographical location and load.

Wireless

Choose your wireless radio from your favorite provider.

Point to Point	Point to Multipoint	Mesh	Cellular*	Satellite
2.4 GHz	2.4 GHz	2.4 GHz	5G	Starlink ©
5.8 GHz	5.8 GHz	5.8 GHz	4G / LTE	

**System is designed for your preferred wireless solution.*

Modular Enclosure

The NEMA 3R enclosure is made of **5052 Aircraft Grade Aluminum**, and is extremely corrosion resistant.

Electronics: All **Solstice Pole** systems are comprised of high quality, industrial grade components and can withstand the most extreme environments. Components include but are not limited to: charging circuit, overload protection, and power supplies.

Batteries: The battery bank and solar array are sized to provide continuous power **365** days a year. Our systems utilize deep-cycle gel batteries with lithium options available.

Solstice Kit

Solar solution for an existing pole

The **Solstice Kit**, like our Solstice Pole, can be installed nearly anywhere, and gives complete control of your cameras from anywhere in the world. The main difference is the Solstice Kit is designed to mount on your existing pole or any new pole of your choice.

All **Solstice Kit** systems are backed by our performance warranty, giving you the confidence that your system will be available when you need it. The **Solstice Kit** turns any camera into the **SolsticeCam™**.

Options

- Smart Health Monitoring
- IR Illuminator: Various Distances and Angles
- Strobe Light: White, Blue, Green, Red
- Amplified Speaker: 10 Watt Amplifier and Speaker
- Powder Coating: Full Selection of RAL Colors

Cameras, Horns, or Radar

We power your favorite combination of IP cameras and IP devices.

Camera brands include Avigilon, Axis, Bosch, FLIR, Genetec, Hanwha, i-Pro, Mobotix, Pelco, Rhombus, Verkada, Vivotek, and many more.

Custom configurations are available for cameras not listed above.

Solar Panels

Solar panel size can range depending on the need for smaller or larger panels.

- Mono-crystalline silicon solar cell
- High transparency, low-iron, tempered glass
- Heavy-duty, anodized frames
- Rugged design to withstand high wind pressure, hail, and snow load

Solar panels vary in size and wattage based on geographical location and load.

Existing Pole

Mounts to your existing pole.

The **Solstice Kit** is compatible with poles 4.5" (114mm) in diameter or greater, with included standard mounting hardware. Specify pole diameter and type (square, round, etc.) when ordering to ensure an exact fit for your application. External wiring is also included, reducing field prep and setup time.

Wireless

Choose your wireless radio from your favorite provider.

Point to Point	Point to Multipoint	Mesh	Cellular*	Satellite
2.4 GHz	2.4 GHz	2.4 GHz	5G	Starlink ©
5.8 GHz	5.8 GHz	5.8 GHz	4G / LTE	

**System is designed for your preferred wireless solution.*

Conduit

Our conduit assembly comes standard on all Solstice Kits.

The conduit assembly comes pre-assembled, with water-tight fittings and mounting hardware for easy pole strapping. All necessary networking and power cables are pre-installed through the 5' conduit sections. All high-quality networking cables are pre-terminated with RJ-45 connectors for seamless and rapid installation.

Standard assembly lengths range from 5' to 20' depending on your needs.

Modular Enclosure

The NEMA 3R enclosure is made of **5052 Aircraft Grade Aluminum**, and is extremely corrosion resistant.

Electronics: All **Solstice Kit** systems are comprised of high quality, industrial grade components and can withstand the most extreme environments. Components include but are not limited to: charging circuit, overload protection, and power supplies.

Batteries: The battery bank and solar array are sized to provide continuous power **365** days a year. Our systems utilize deep-cycle gel batteries with lithium options available.

Solstice Light

All-in-one solar lights and cameras

The **Solstice Light** solar-powered lighting system can be installed nearly anywhere as a turnkey solution.

All **Solstice Light** systems are backed by our performance warranty, giving you the confidence that your lights will be on when you need them most.

Our optional smart lighting controls allow you to remotely adjust lighting outputs and monitor the health of your lights from anywhere in the world.

Options

- Smart Health Monitoring
- Powder Coating: Color Options



Other colors available upon request.

- Extension Arm for Light(s):



Lights

LED Light Mount

Lumens: 9500

LLF: 1.000

Units: Fc | Average: 0.46 | Max: 4.3

Optional Motion Sensor

Modular Enclosure

The NEMA 3R enclosure is made of **5052 Aircraft Grade Aluminum**, and is extremely corrosion resistant.

Electronics: All **Solstice Light** systems are comprised of high quality, industrial grade components and can withstand the most extreme environments. Components include but are not limited to: charging circuit, overload protection, and power supplies.

Batteries: The battery bank and solar array are sized to provide continuous power **365** days a year. Our systems utilize deep-cycle gel batteries with lithium options available.

Solar Panels

Solar panel size can range depending on the need for smaller or larger panels.

- Mono-crystalline silicon solar cell
- High transparency, low-iron, tempered glass
- Heavy-duty, anodized frames
- Rugged design to withstand high wind pressure, hail, and snow load

Solar panels vary in size and wattage based on geographical location and load.

Pole

All of our poles are aluminum and corrosion resistant.

Direct Burial, Sectional, Aluminum Pole:

- **20' (6.096m) pole includes two sections:** A 12' (3.5m) main section and an 8' (2.5m) base section. The base section is installed 4' (1.2m) below ground, leaving 16' (5m) total above ground.
- **25' (7.62m) pole includes two sections:** A 15' (4.572m) main section and an 10' (3.048m) base section. The base section is installed 4' (1.2m) below ground, leaving 21' (6.4008m) total above ground.
- **30' (9.144m) pole includes two sections:** A 20' (6.096m) main section and an 10' (3.048m) base section. The base section is installed 4' (1.2m) below ground, leaving 26' (7.9248m) total above ground.

Sectional poles are available in either 6.5" diameter (7m x 165mm) or 20' x 4.5" diameter (7m x 114mm)

Hinged Poles: The pole is hinged at the base for an extremely easy installation. The hinged pole comes in two standard sizes: 16' x 6" diameter (5m x 152mm) and 20' x 6" diameter (7m x 152mm). Custom lengths below 20' (7m) can be requested.

Mounting: All Sun Surveillance components are designed to mount to any flat surface or pole 4.5" (114mm) or greater.





MOBILE UNITS

Solstice Trailer	18
Solstice H-Base	20

Solstice Trailer

Mobile solar trailer for any camera

The **Solstice Trailer** solar-powered wireless surveillance system is designed to dynamically extend your security on demand.

The EZ-Lift manual winch quickly raises the telescoping pole, providing a clear and stable vantage point with complete control of your cameras from anywhere in the world.

All **Solstice Trailer** systems are backed by our performance warranty, giving you the confidence that your system will be available when you need it.

Options

- Smart Health Monitoring
- GPS Location
- IR Illuminator: Various Distances and Angles
- Strobe Light: White, Blue, Green, Red
- Amplified Speaker: 10 Watt Amplifier and Speaker
- Self-Starting Generator for Extra Large Loads

Cameras, Horns, or Radar

We power your favorite combination of IP cameras and IP devices.

Camera brands include Avigilon, Axis, Bosch, FLIR, Genetec, Hanwha, i-Pro, Mobotix, Pelco, Rhombus, Verkada, Vivotek, and many more.

Custom configurations are available for cameras not listed above.

Telescopic Mast

The telescopic mast system features an EZ-Lift winch for rapid deployment.

Type: Square tube steel, 4 section, galvanized finish with powder coat base

Total Height: 20' (6m)

Lift System: EZ-Lift manual winch

Max Payload: 165 lbs (75 Kg)

Enclosure

The enclosure is made of **5052 Aircraft Grade Aluminum**, and is extremely corrosion resistant.

Electronics: All **Solstice Trailer** systems are comprised of high quality, industrial grade components and can withstand the most extreme environments. Components include but are not limited to: charging circuit, overload protection, and power supplies.

Batteries: The battery bank and solar array are sized to provide continuous power **365** days a year. Our systems utilize deep-cycle gel batteries with lithium options available.

Wireless

Choose your wireless radio from your favorite provider.

Point to Point	Point to Multipoint	Mesh	Cellular*	Satellite
2.4 GHz	2.4 GHz	2.4 GHz	5G	Starlink ©
5.8 GHz	5.8 GHz	5.8 GHz	4G / LTE	

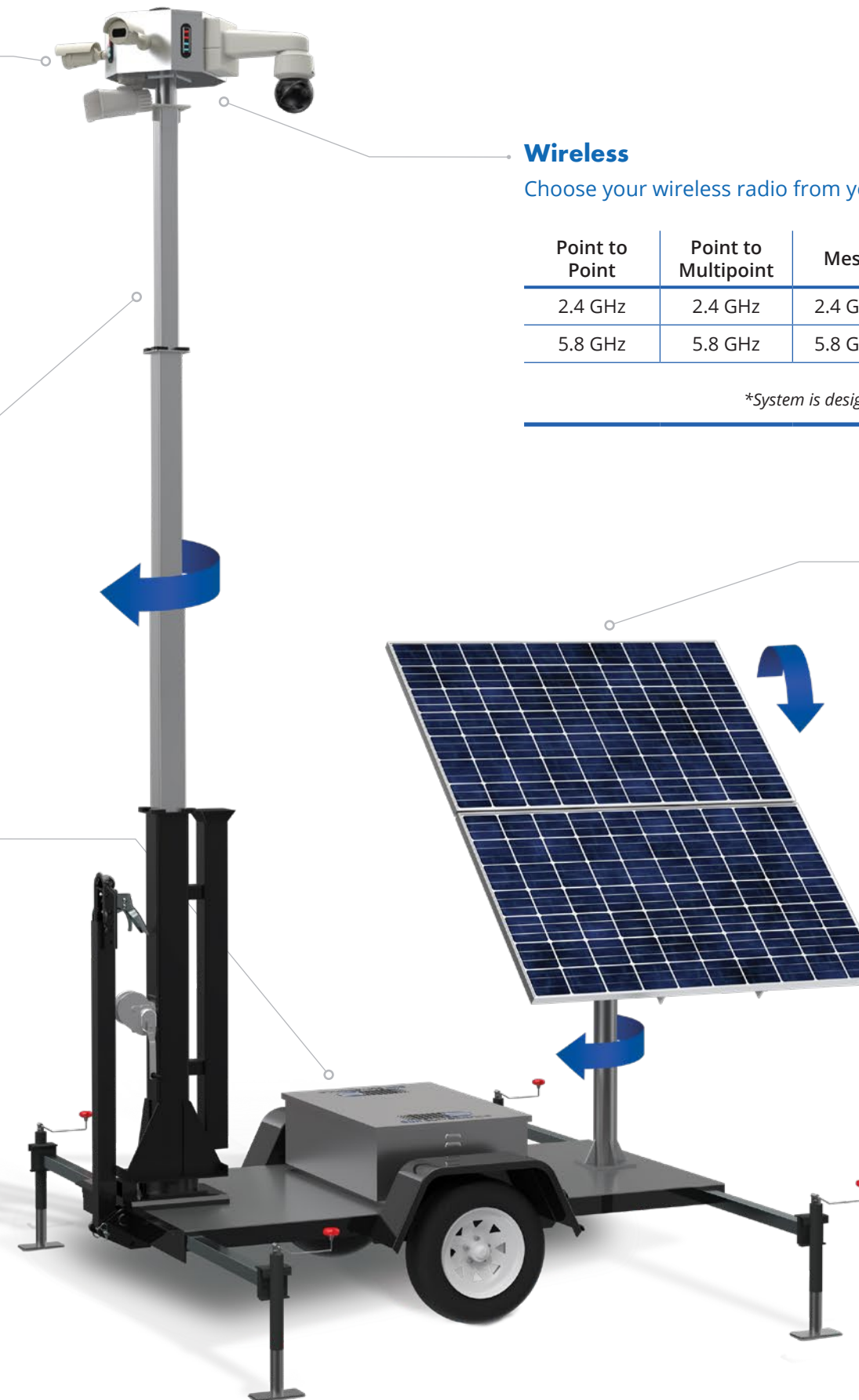
**System is designed for your preferred wireless solution.*

Solar Panels

Solar panels can range depending on the need for smaller or larger panels.

- Mono-crystalline silicon solar cell
- High transparency, low-iron, tempered glass
- Heavy-duty, anodized frames
- Rugged design to withstand high wind pressure, hail, and snow load

Solar panels vary in size and wattage based on geographical location and load.



Solstice H-Base

Forklift movable solar unit

The **Solstice H-Base** camera system is an extremely robust mobile solution, providing a stable base for security on construction sites.

The fork pockets make for easy relocation as your site changes throughout the construction phase.

The **Solstice H-Base** allows for the widest possible range of deployment locations made possible by the leveling jacks. The Solstice H-Base is our most cost effective mobile solution.

As with all Sun Surveillance systems, our **Solstice H-Base** systems are backed by our performance warranty, giving you the confidence that your system will be available when you need it most.

Options

- Smart Health Monitoring
- GPS Location
- IR Illuminator: Various Distances and Angles
- Strobe Light: White, Blue, Green, Red
- Amplified Speaker: 10 Watt Amplifier and Speaker
- Solar Lighting for Lighting Applications

Cameras, Horns, or Radar

We power your favorite combination of IP cameras and IP devices.

Camera brands include Avigilon, Axis, Bosch, FLIR, Genetec, Hanwha, i-Pro, Mobotix, Pelco, Rhombus, Verkada, Vivotek, and many more.

Custom configurations are available for cameras not listed above.

Enclosure

The enclosure is made of **5052 Aircraft Grade Aluminum**, and is extremely corrosion resistant.

Electronics: All **Solstice H-Base** systems are comprised of high quality, industrial grade components and can withstand the most extreme environments. Components include but are not limited to: charging circuit, overload protection, and power supplies.

Batteries: The battery bank and solar array are sized to provide continuous power **365** days a year. Our systems utilize deep-cycle gel batteries with lithium options available.

Wireless

Choose your wireless radio from your favorite provider.

Point to Point	Point to Multipoint	Mesh	Cellular*	Satellite
2.4 GHz	2.4 GHz	2.4 GHz	5G	Starlink ©
5.8 GHz	5.8 GHz	5.8 GHz	4G / LTE	

**System is designed for your preferred wireless solution.*

Camera Pole

The sectional quick deploy tilt up pole is easy enough for one person to setup, yet strong enough to prove steady images for your analytic cameras.

Hinged and Sectional Aluminum Pole: The pole hinges at the base for an extremely easy installation. The hinged pole comes in a standard size: 14' x 4.5" diameter (4.2m x 114mm)

Height: 14' (4m)

Lift System: One person tilt up

Max Payload: 77 lbs (35 Kg)

Solar Panels

Solar panels can range depending on the need for smaller or larger panels.

- Mono-crystalline silicon solar cell
- High transparency, low-iron, tempered glass
- Heavy-duty, anodized frames
- Rugged design to withstand high wind pressure, hail, and snow load

Solar panels vary in size and wattage based on geographical location and load.





OTHER

PowerBridge	24
Octo Box	26
AC Pole	28
Sectional Pole	30
Hinged Pole	32
Smart Monitoring	34



PowerBridge

Daytime power for night-lit poles

The **PowerBridge** is designed to bridge the gap of power during the day when power is not present on a parking lot light pole because the power is remotely controlled from the building with a timer or a parent photocell. The PowerBridge can provide continuous power for security equipment for less cost than is typically associated with a solar system.

Compatible with a wide range of voltages, and can power all the same equipment as our solar solutions. The **PowerBridge** comes standard with overload surge protections while providing clean power to preserve your investment.

All **PowerBridge** systems are backed by our performance warranty, giving you the confidence that your system will be available when you need it.

Options

- **Smart Health Monitoring**
- **IR Illuminator:** Various Distances and Angles
- **Strobe Light:** White, Blue, Green, Red
- **Amplified Speaker:** 10 Watt Amplifier and Speaker
- **Powder Coating:** Full Selection of RAL Colors

Intermittent Power

The **PowerBridge** provides continuous power for security equipment when power is not present on the pole during the daytime hours.

Input power: 120/240/277/480VAC nominal supported

Cameras, Horns, or Radar

We power your favorite combination of IP cameras and IP devices.

Camera brands include Avigilon, Axis, Bosch, FLIR, Genetec, Hanwha, i-Pro, Mobotix, Pelco, Rhombus, Verkada, Vivotek, and many more.

Custom configurations are available for cameras not listed above.

Existing Pole

Mounts to your existing pole.

The **PowerBridge** is compatible with poles 4.5" (114mm) in diameter or greater, with included standard mounting hardware. Specify pole diameter and type (square, round, etc.) when ordering to ensure an exact fit for your application. External wiring is also included, reducing field prep and setup time.

Wireless

Choose your wireless radio from your favorite provider.

Point to Point	Point to Multipoint	Mesh	Cellular*	Satellite
2.4 GHz	2.4 GHz	2.4 GHz	5G	Starlink ©
5.8 GHz	5.8 GHz	5.8 GHz	4G / LTE	

**System is designed for your preferred wireless solution.*

Conduit

Our conduit assembly comes standard on all PowerBridge systems.

The conduit assembly comes pre-assembled with water tight fittings, mounting hardware to easily strap to your pole, and all relevant networking and power cable specified for your system pre-pulled through the 5' conduit sections. All high quality networking cables are pre-terminated with RJ-45 connectors for a seamless and rapid installation.

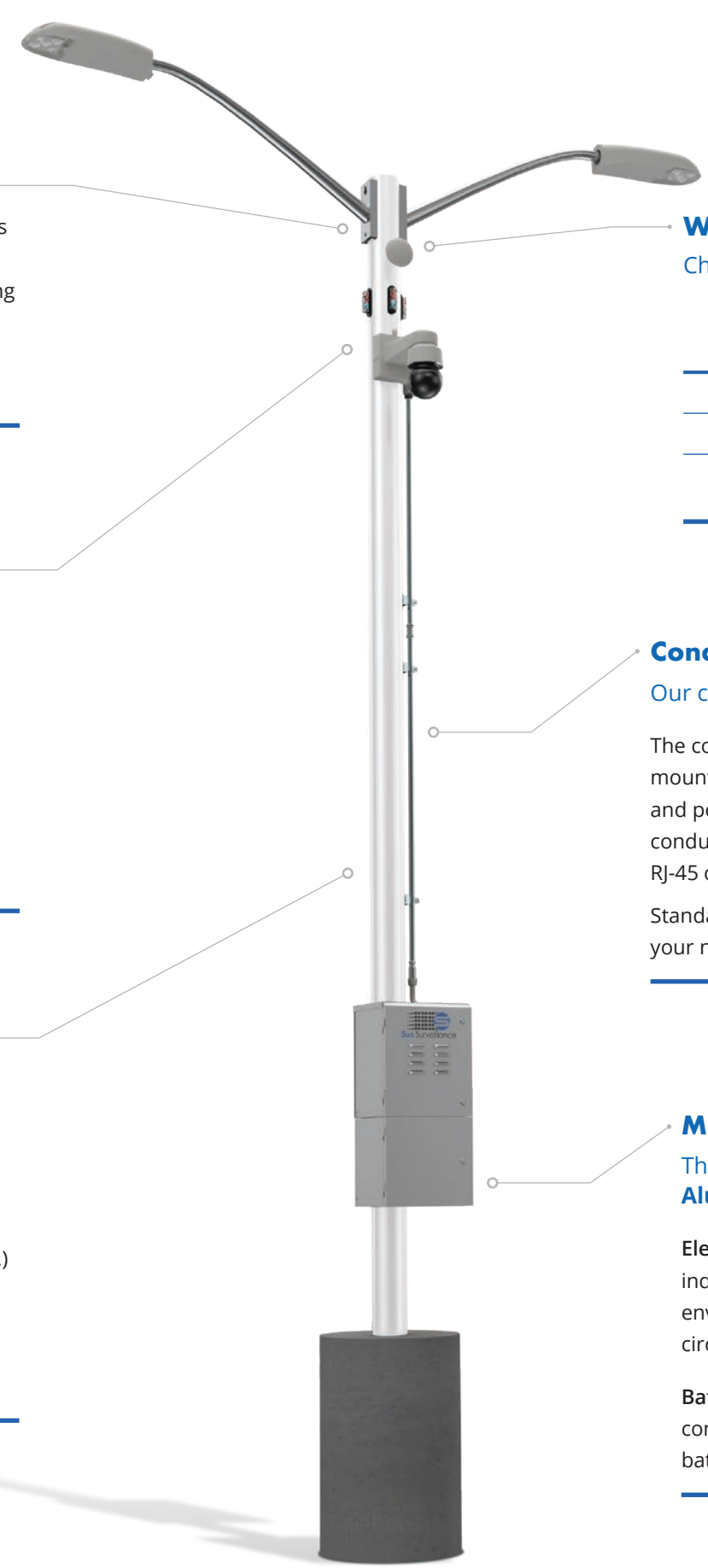
Standard assembly lengths range from 5' to 20' depending on your needs.

Modular Enclosure

The NEMA 3R enclosure is made of **5052 Aircraft Grade Aluminum**, and is extremely corrosion resistant.

Electronics: All **PowerBridge** systems are comprised of high quality, industrial grade components and can withstand the most extreme environments. Components include but are not limited to: charging circuit, overload protection, and power supplies.

Batteries: The battery bank and charging circuit are sized to provide continuous power **365** days a year. Our systems utilize deep-cycle gel batteries with lithium options available.



Octo Box

Built for monitoring

The **Octo Box** is built around your favorite cameras and designed to be powered with solar or AC power. The **Octo Box** was designed with flexibility in mind, and available with wall, corner, and pole mounts.

Additionally the **Octo Box** can mount to any of our mobile platforms giving you maximum flexibility for the current site you are monitoring.

Options

- Smart Health Monitoring
- Battery Backup
- Strobe Light: White, Blue, Green, Red
- Amplified Speaker: 10 Watt Amplifier and Speaker
- Powder Coating: Full Selection of RAL Colors

Enclosure

The enclosure is made of **5052 Aircraft Grade Aluminum**, and is extremely corrosion resistant.

Versatile mounting surfaces for components to optimize your security setup.

4G/5G Cellular

For self-contained communications.

We support Peplink, Digi, SemTech, Cradlepoint and Teltonika.

Cameras, Horns, or Radar

We power your favorite combination of IP cameras and IP devices.

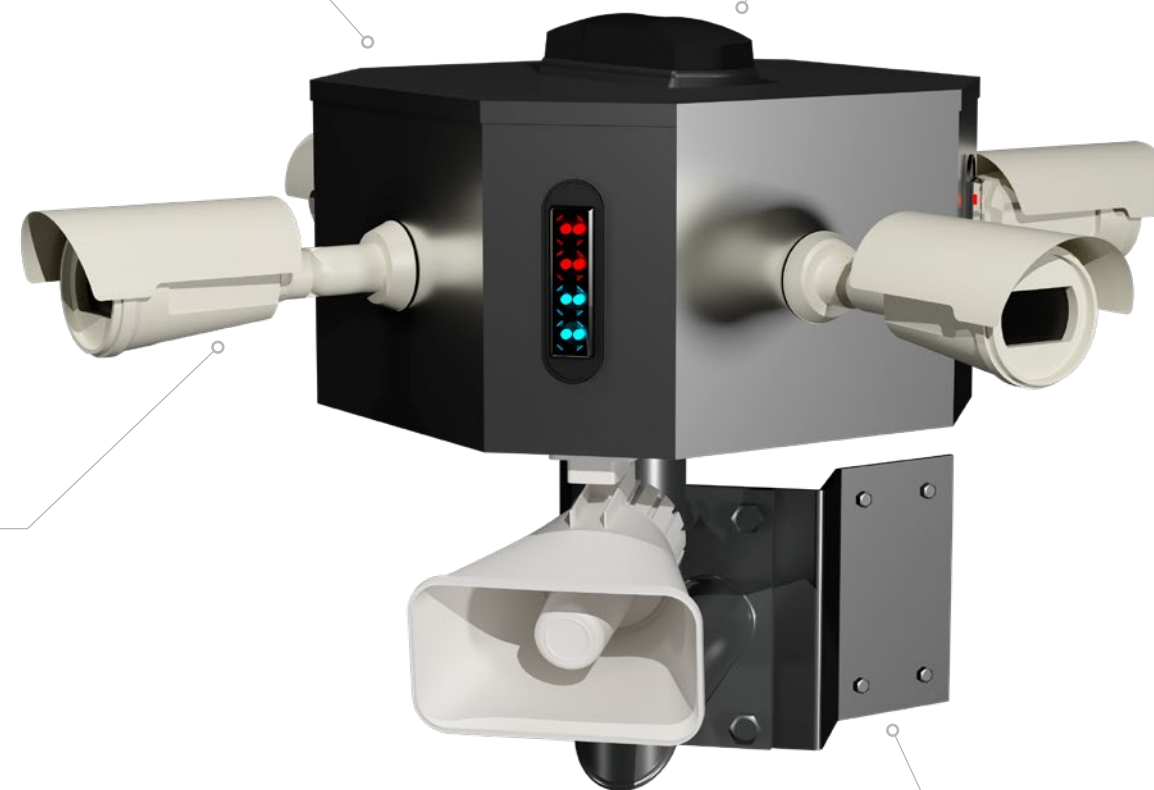
Camera brands include Avigilon, Axis, Bosch, FLIR, Genetec, Hanwha, i-Pro, Mobotix, Pelco, Rhombus, Verkada, Vivotek, and many more.

Custom configurations are available for cameras not listed above.

Versatile

Compatible with all Sun Surveillance platforms.

Platforms include Solstice H-Base, Solstice Trailer, Solstice Pole, Solstice Kit, PowerBridge, wall and corner mount.



AC Pole

Security-ready, pre-wired camera pole

Elevate your surveillance infrastructure with the **AC Pole** solution. Tailored for efficiency and designed with a focus on seamless integration, this system ensures clean integration with your security devices.

Your **AC Pole** will arrive on site ready to connect, power, and mount your cameras. Our turnkey **AC Pole** will save you thousands of dollars between the quoting, purchasing, integrating, wiring, terminating and completing your project on time.

With our project design and quoting software, you can quickly design all of our systems by selecting the cameras and wireless equipment you want to power. Our system will then select all the necessary power supplies.

Options

· Powder Coating: Color Options



Other colors available upon request.

Cameras, Horns, or Radar

We power your favorite combination of IP cameras and IP devices.

Camera brands include Avigilon, Axis, Bosch, FLIR, Genetec, Hanwha, i-Pro, Mobotix, Pelco, Rhombus, Verkada, Vivotek, and many more.

Custom configurations are available for cameras not listed above.

Pole

All of our poles are aluminum and corrosion resistant.

Direct Burial, Sectional,

Aluminum Pole: The 20' x 6.5" diameter (7m x 165mm) or 20' x 4.5" diameter (7m x 114mm) pole includes two sections: a 12' (3.5m) main section and an 8' (2.5m) base section. The base section is installed 4' (1.2m) below ground, leaving 16' (5m) total above ground.

Hinged Aluminum Pole:

The pole is hinged at the base for an extremely easy installation. The hinged pole comes in two standard sizes: 16' x 6" diameter (5m x 152mm) and 20' x 6" diameter (7m x 152mm). Custom lengths below 20' (7m) can be requested.

Your Pole: All Sun Surveillance components are designed to mount to any flat surface or pole 4.5" (114mm) or greater.

Wireless

Choose your wireless radio from your favorite provider.

Point to Point	Point to Multipoint	Mesh	Cellular*	Satellite
2.4 GHz	2.4 GHz	2.4 GHz	5G	Starlink ©
5.8 GHz	5.8 GHz	5.8 GHz	4G / LTE	

*System is designed for your preferred wireless solution.

Modular Enclosure

The NEMA 3R enclosure is made of **5052 Aircraft Grade Aluminum**, and is extremely corrosion resistant.

Electronics: All **AC Pole** systems are comprised of high quality, industrial grade components and can withstand the most extreme environments. Components include but are not limited to: network switches, media converters, PoE injectors, overload protection, and power supplies.



Sectional Pole

Extra-strength for added camera stability

Sectional Poles are designed to provide an affordable and flexible mounting solution, allowing installation with less effort than other direct-burial poles.

The poles are constructed of schedule 40 extruded aluminum, giving strength with corrosion resistance. They come pre-wired with all cables internally routed, giving the system added protection from both vandalism and the environment.

Options

· Powder Coating: Color Options



Other colors available upon request.

Material

6000 Series Aluminum Alloy
Grade 6061 T6, Schedule 40

Ultimate tensile strength:
*45,000 psi (310 MPa) typical

Tensile yield strength:
*40,000 psi (276 MPa) typical

**Data provided by the Aluminum Association, Inc. and are not for design purposes.*

Properties

Pole Type: Direct-burial

Cross Section: Round

Finish: Satin-brushed finish

Wiring: Pre-wired with internal cable routing for added security. Main section rotates 360° to facilitate solar panel and camera alignment during installation and is secured in place with 3/8" set screws.



Specifications

	SS-20DBP-4.5-AL-R-NT	SS-20DBP-6-AL-R-NT
Dimensions*	Overall: 20' x 4.5" diameter, 0.237" wall (7m x 114mm)	Overall: 20' x 6.625" diameter, 0.28" wall (7m x 168mm)
	Main Section: 12' (3.5m)	Main Section: 12' (3.5m)
	Base Section: 8' (2.5m)	Base Section: 8' (2.5m)
	Coupler: 12" (305mm)	Coupler: 12" (305mm)
Weight	81 lbs. (37kg)	147 lbs. (67kg)

WIND LOAD DATA

90 mph	27 EPA (ft ²)	33.6 EPA (ft ²)
110 mph	17 EPA (ft ²)	21.2 EPA (ft ²)
120 mph	14 EPA (ft ²)	17.5 EPA (ft ²)
140 mph	9.5 EPA (ft ²)	11.8 EPA (ft ²)

**Custom lengths can be requested. Sun Surveillance reserves the right to change the specifications without notice. EPA calculations based on 1.3 gust factor and assumes top of pole fixture mounting height.*

Hinged Pole

Providing easy access to your cameras

Hinged Poles provide an affordable, robust, and lightweight solution. Featuring a unique hinged base design allowing for easy installation.

The poles are constructed from tempered 6063 aluminum to provide strength and corrosion resistance for durability in extreme environments. They are pre-wired with all cables internally connected, offering added protection against vandalism and the elements.

Options

· Powder Coating: Color Options



Other colors available upon request.



Material

6000 Series Aluminum Alloy Grade 6061 T6, Schedule 40

Ultimate tensile strength: *45,000 psi (310 MPa) typical

Tensile yield strength: *40,000 psi (276 MPa) typical

**Data provided by the Aluminum Association, Inc. and are not for design purposes.*

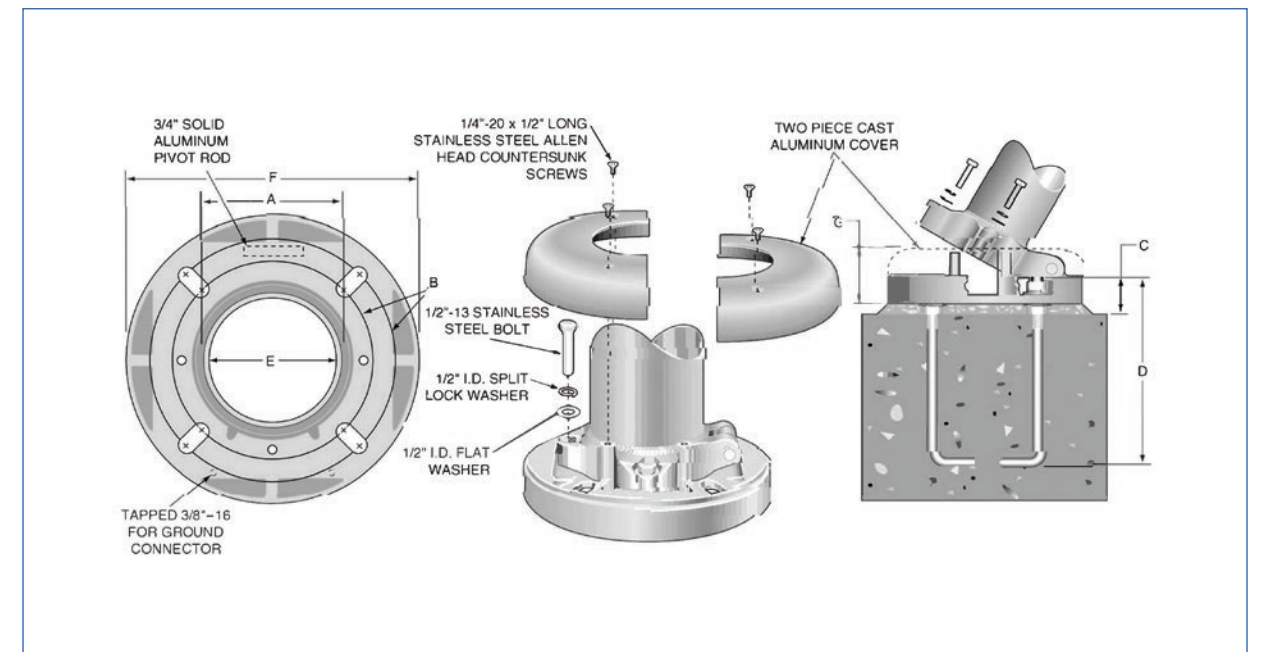
Hinged Mount

The pole hinges at the base for an extremely easy installation.

The hinged pole comes in two standard sizes:

16' x 6" diameter (5m x 152mm) and 20' x 6" diameter (7m x 152mm).

Custom lengths below 20' (7m) can be requested.



Smart Health Monitoring

Real-time solar and battery data status

Our **Smart Health Monitoring** system utilizes IoT technology for real-time monitoring and diagnostics of your security infrastructure. With advanced software, we ensure optimal system performance, allowing for proactive maintenance and rapid response to issues. You'll receive notifications before critical issues arise, providing peace of mind.

This solution enhances the reliability and longevity of your equipment, ensuring seamless operation and maximum security.

Options

- Remote Reboot
- GPS Location
- Configurable Notifications



Follow Us On Social

LinkedIn: [company/sun-surveillance](#)

Instagram: [sun_surveillance](#)

Facebook: [sunsurveillance](#)

YouTube: [@sunsurveillance](#)

418 Old Greenville Rd
Spartanburg, SC 29301

SunSurveillance.com
(864) 699-9911

